

Styleline[®] ABC

AUTOMATIC ENTRANCE DOORS FOR BEER CAVES

“In short, caves are a perfect store addition if you wish to boost traffic and profit for your store.” - Miller Coors

STYLELINE[®] Automatic Beer Cave Doors are completely automated offering hands-free convenience and outstanding ways to invite customers in!

STYLELINE[®]
By Commercial Refrigerator Door Company

www.styleline.com



108" Automatic Beer Cave

Sell More Beer with Automatic Doors!

Styleline[®] ABC



78" Automatic Beer Cave



APPLICATION: Walk-in Coolers / Beer Caves



WARRANTY: 1 - year workmanship and materials
10 - years glass pack



120" Automatic Beer Cave

- ADA Compliant
- DOE 2017 Compliant
- UL-certified Door & Frame
- Sliding Door Sweeper Included
- Energy Efficient, no-heat glass pack technology
- Header, Jam and Door/Window Components are Included
- Durable Anodized Finishes in Bright Silver, Satin Silver and Satin Black
- Available as 78" Single-slider, 108", 120" and 144" Double-slider
- Automatic "fly-open" Battery Backup System
- Professional Installation Included

Finishes Available:

- Bright Silver
- Satin Silver
- Satin Black

Sizes Available:

- 78 inch - Single Door Slider
- 108 inch - Double Door Slider
- 120 inch - Double Door Slider
- 144 inch - Double Door Slider

Surface Mount ABC NCO's

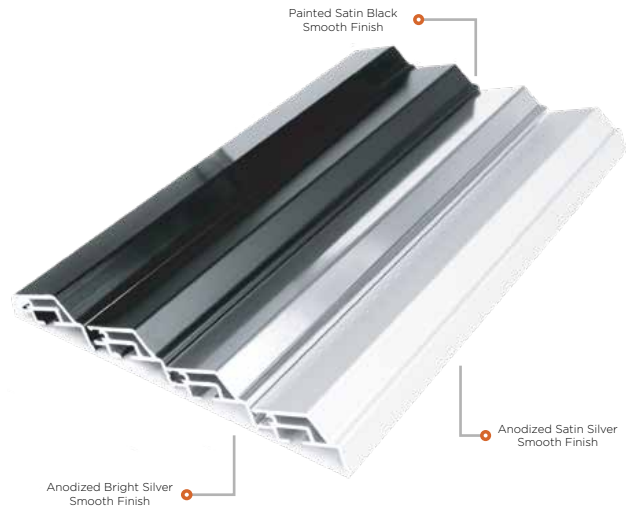
Overall Size	Actual NCO
78"	73-1/8" x 82"
108"	101-3/4" x 82"
120"	113-3/4" x 82"
144"	137-3/4" x 82"



Surface Mount ABC NCO's

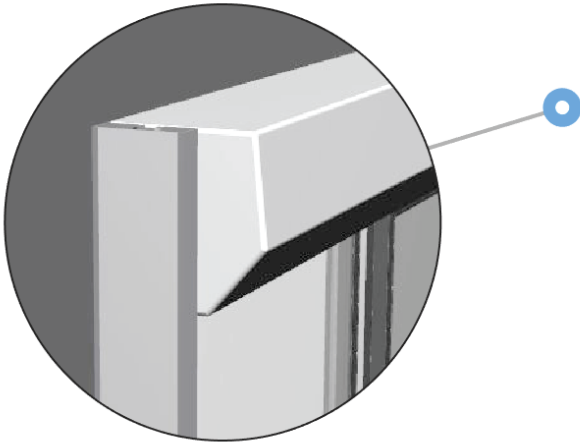
Overall Size	Actual NCO
78"	73-1/8" x 82"
108"	101-3/4" x 82"
120"	113-3/4" x 82"
144"	137-3/4" x 82"

Finishes Available



ELECTRICAL DATA TABLE (TOTAL AMPS AT 120V)		
SIZE	HEATER CIRCUIT	MECHANISM CIRCUIT
78"	0.455 AMPS	0.375 AMPS
108"	0.894 AMPS	0.375 AMPS
120"	1.088 AMPS	0.375 AMPS
144"	1.470 AMPS	0.375 AMPS

Surface Mount Profile

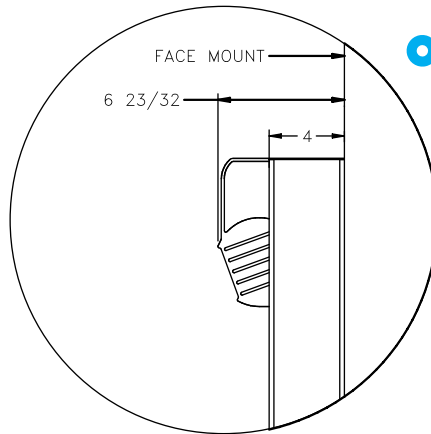


Energy Efficient Surface Mount

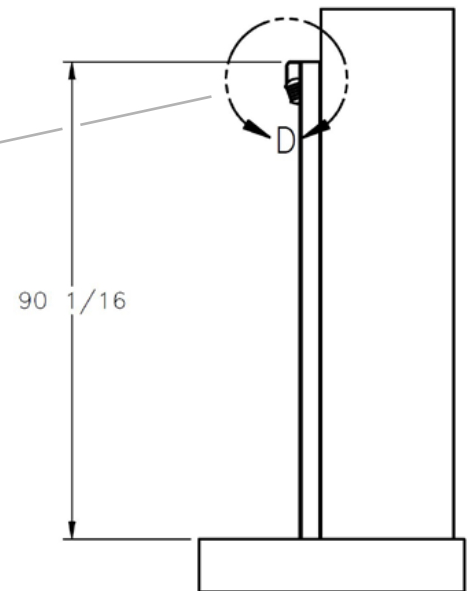


120" Automatic Beer Cave

Surface Mount Distances



DETAIL D
SCALE 1:4



SCALE 1:20



Surface Mount

NET CLEARING DOOR OPENING	
SIZE	OPENING
78"	33"
108"	42"
120"	48"
144"	63"

NCO HEIGHTS ARE FROM FINISH FLOOR GRADE

ELECTRICAL DATA TABLE (TOTAL AMPS AT 120V)		
SIZE	HEATER CIRCUIT	MECHANISM CIRCUIT
78"	0.455 AMPS	0.375 AMPS
108"	0.894 AMPS	0.375 AMPS
120"	1.088 AMPS	0.375 AMPS
144"	1.470 AMPS	0.375 AMPS

SEPERATE CIRCUITS FOR HEAT AND MECHANISM COMPONENTS